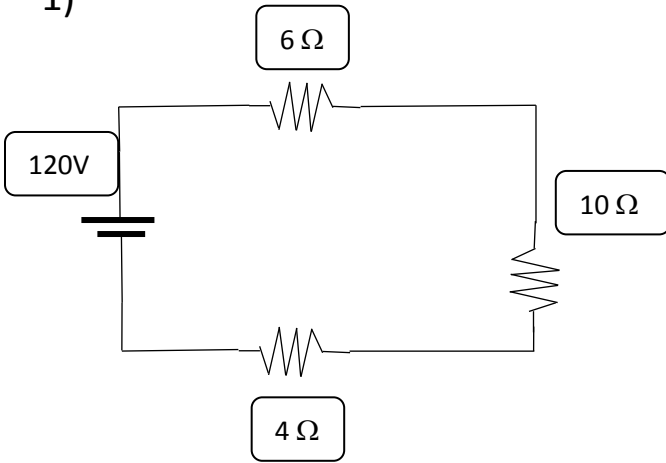


Series Circuits

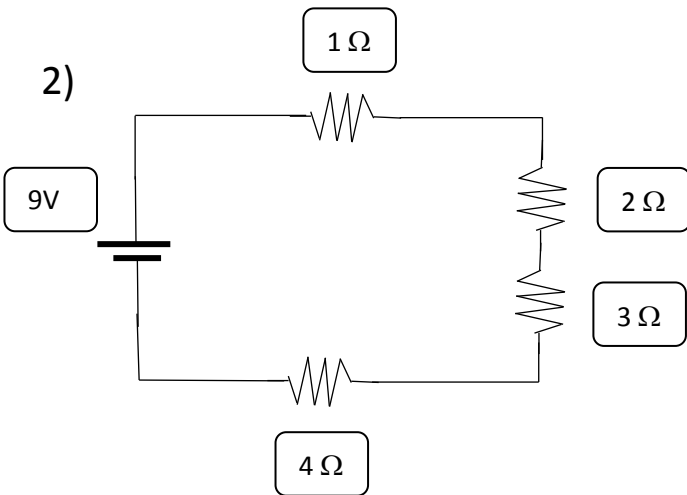
Solve each circuit

1)



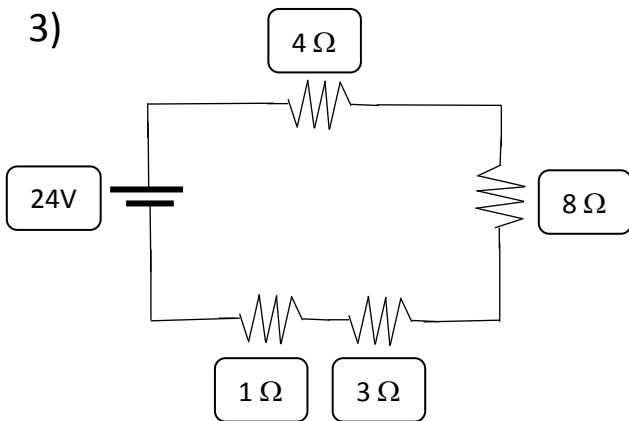
R	V	I	P
Batt			

2)



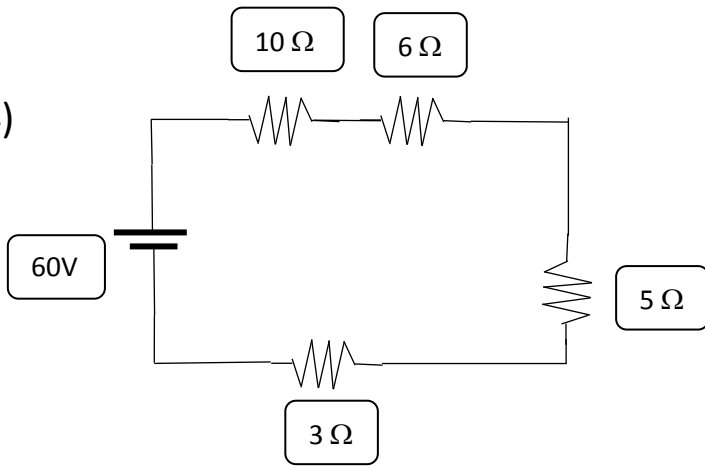
R	V	I	PW
Batt			

3)



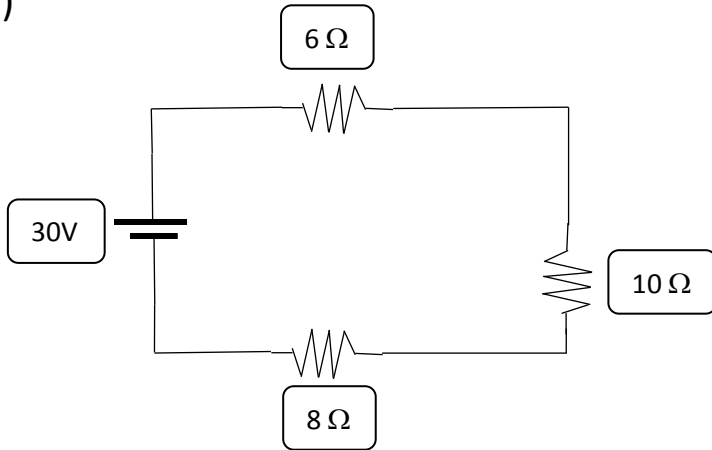
R	V	I	P
Batt			

4)



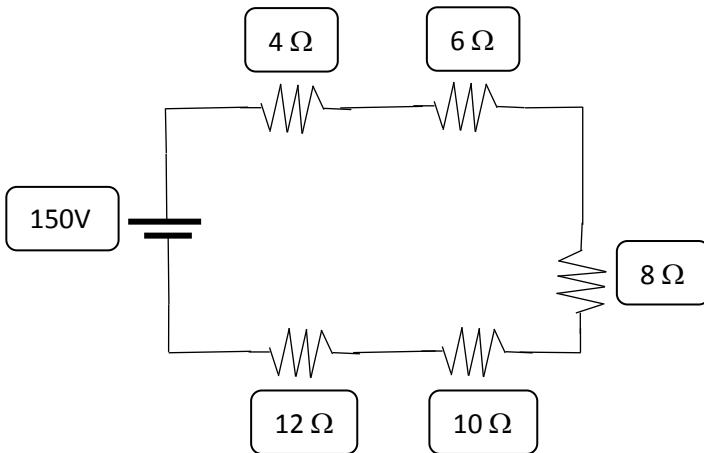
R	V	I	P
Batt			

5)



R	V	I	P
Batt			

6)



R	V	I	P
Batt			