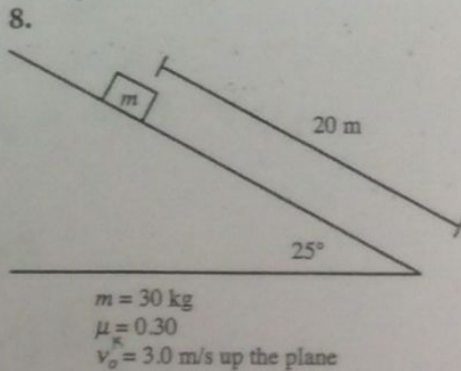
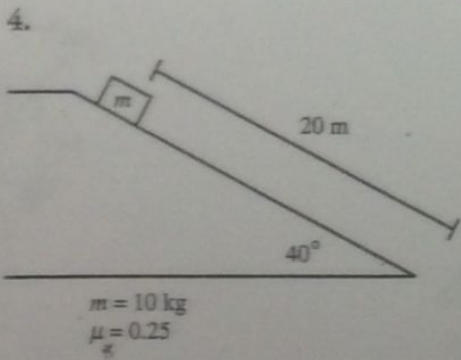
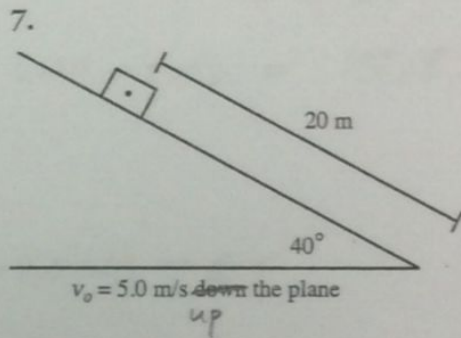
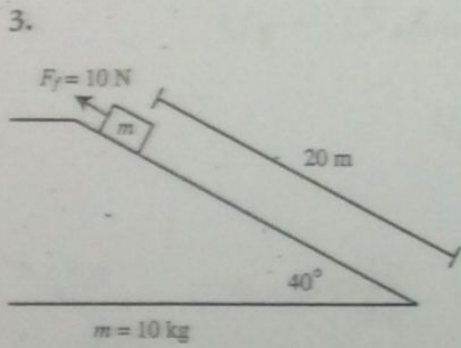
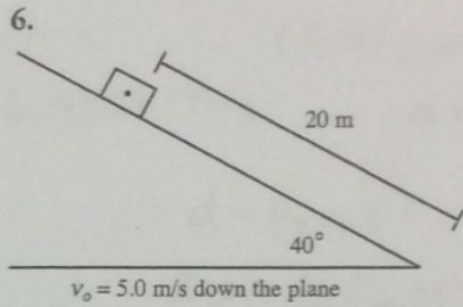
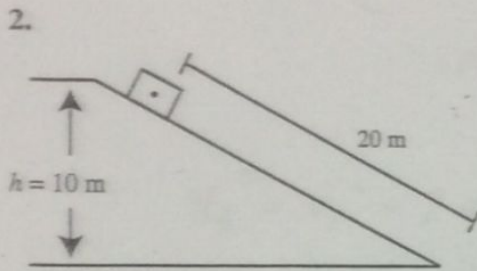
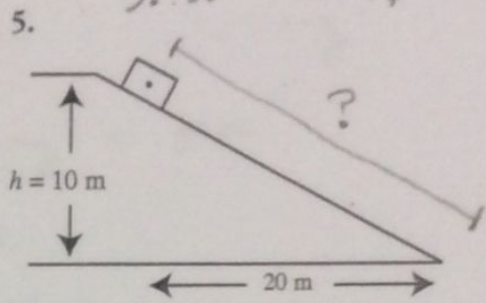
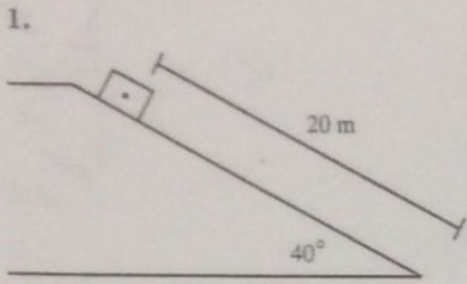


$$g = 9.8 \text{ m/s}^2$$

1. Solve for a .
2. Solve for time to reach bottom.
3. Solve for V_f at the bottom.



* Acceleration differs up the plane v. down the plane.